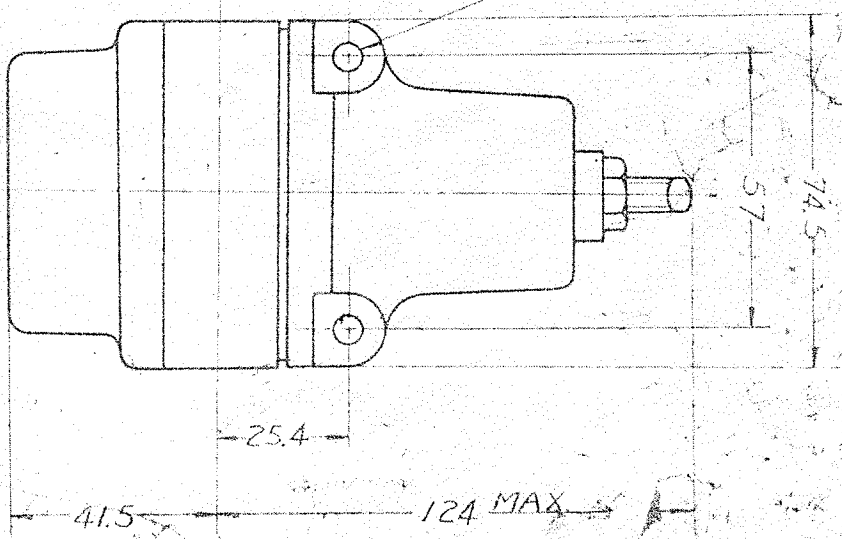
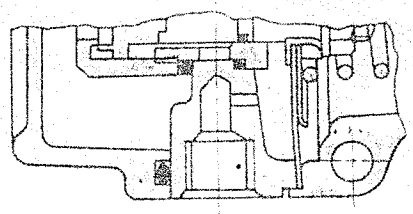
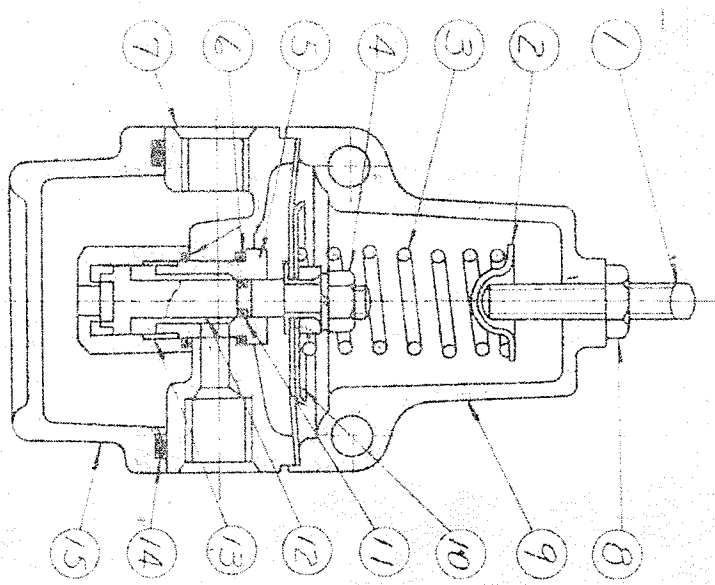


E000059-SNM



ITEM NO.	NAME OF PART	MAT.	ITEM NO.	NAME OF PART	MAT.
1	ADJUSTING SCREW	STEEL	9	SPRING CASE	ALUMINUM
2	UPPER SPRING BUTTON	STEEL	10	DIAPHRAGM (WITH LOWER SPRING BUTTON)	BRASS
3	RANGE SPRING	UL-2 TITANIUM	11	INLET VALVE O-RING	NBR
4	INLET VALVE LOCK NUT	STEEL	12	INLET VALVE SEAT (WITH SOFT SEAT INSERT)	BRASS (C 4518)
5	BODY INSERT	BRASS	13	INSERT, RETAINER	BRASS
6	BODY INSERT O-RING	NBR	14	BODY CAP O-RING GASKET	NBR
7	BODY	ALUMINUM	15	BODY CAP	ALUMINUM
8	ADJUSTING SCREW LOCK NUT	STEEL			

CHANGING SCREW LOCK NUT -
Nissan, Sumitomo

#77-6 LOCK UP VALVE
ELEVATION

NIIGATA WORTHINGTON CO. LTD.

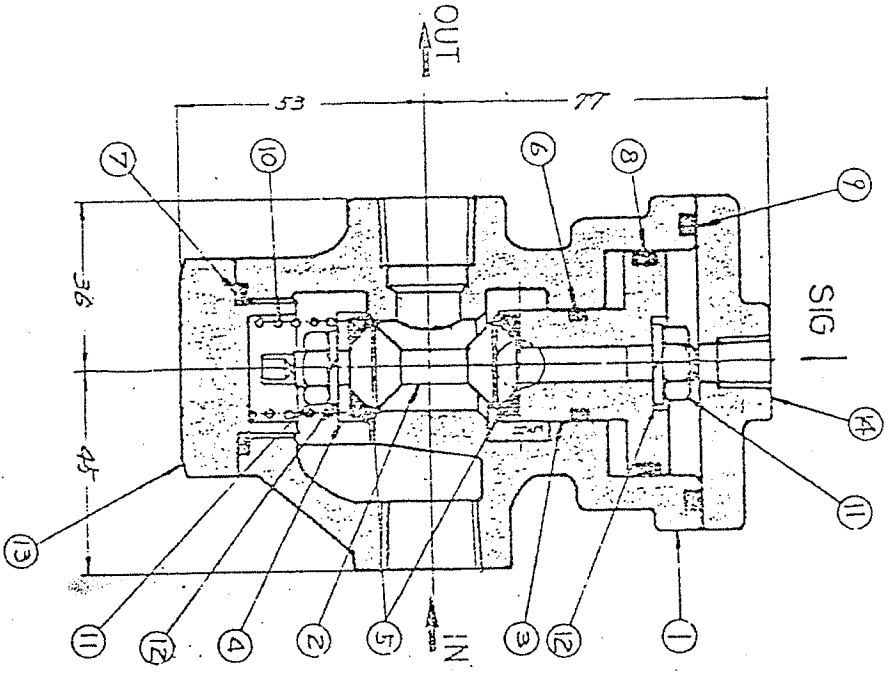
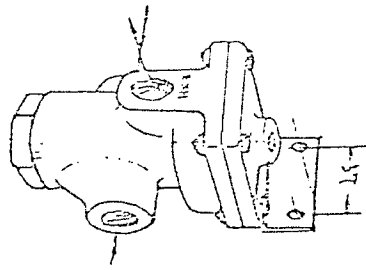
KASHIMAZAKI PLANT

DATE 08-2-73 SALE NONE

DRAWN (CHECKED) APPROVED
MNS-650003

N.J

08-80H



PARTS REFERENCE

No.	DESCRIPTION
1	BODY
2	PLUG
3	PISTON
4	INSERT RETAINER
5	RUBBER INSERT
6	"0" RING
7	"0" RING
8	"0" RING
9	"0" RING
10	SPRING
11	LOCK NUT
12	SPRING WASHER
13	ROTTON CAP
14	HEAD CAP
15	SCREW
16	PLUG

Dwg. No. MNS-75F023

NO.	REV.	DATE	BY	CHK.	DESCRIPTION
1					
2					
3					
4					
5					
6					
7					
8					
9					
10					
11					
12					
13					
14					
15					
16					

08-80H

ニイサ・メソソナ・ソソソ

MNS-75F023

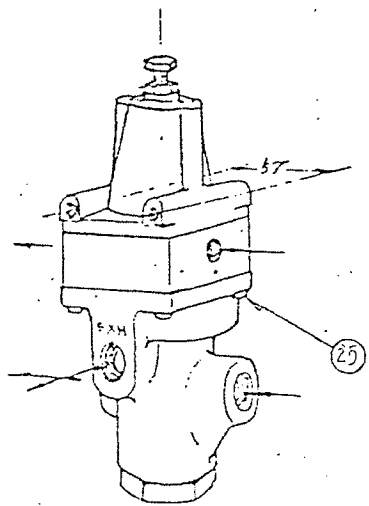
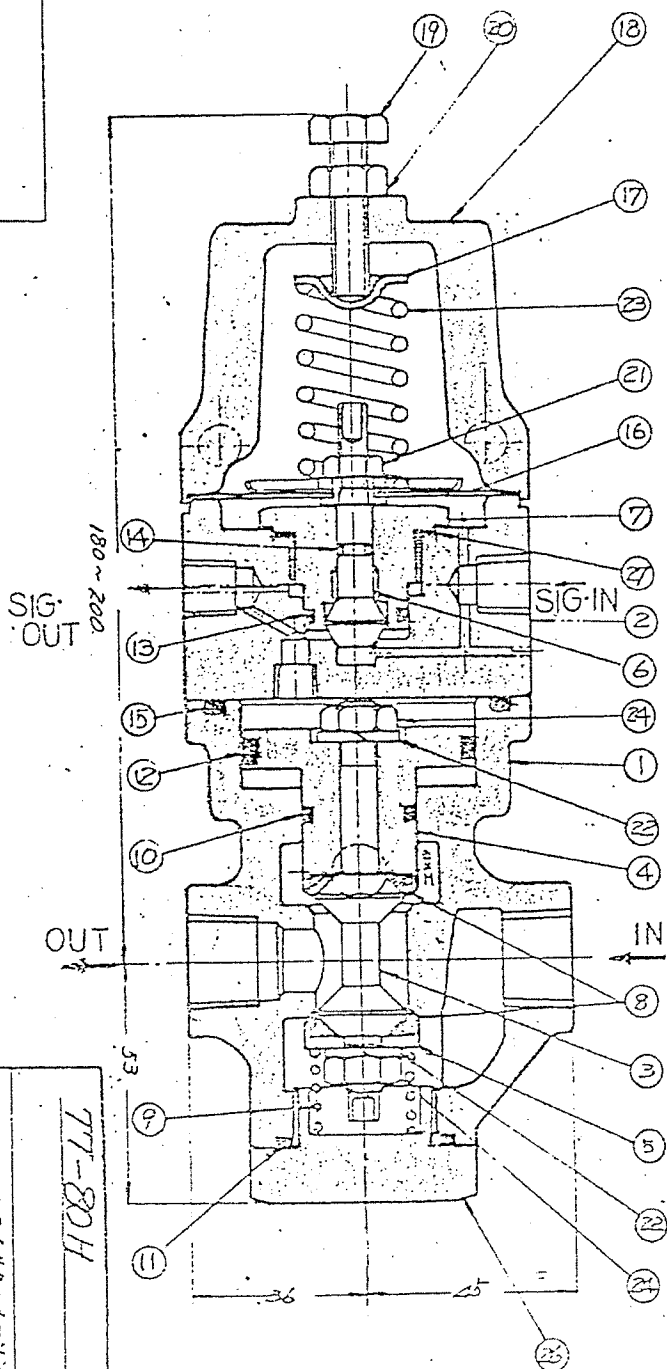
4

n.2

n. 3

PARTS REFERENCE

No.	DESCRIPTION
1	BODY
2	HOUSING
3	PLUG
4	PISTON
5	INSERT RETAINER
6	PILOT
7	PILOT RETAINER
8	RUBBER INSERT
9	SPRING
10	"O" RING
11	"O" RING
12	"O" RING
13	"O" RING
14	"O" RING
15	"O" RING
16	DIAPHRAGM S/A
17	SPRING BUTTON
18	SPRING CASE
19	ADJUSTING SCREW
20	LOCK NUT
21	NUT
22	SPRING WASHER
23	SPRING
24	NUT
25	SCREW
26	BOTTOM CAP
27	SHIM
28	PLUG
29	PLUG
30	PLUG

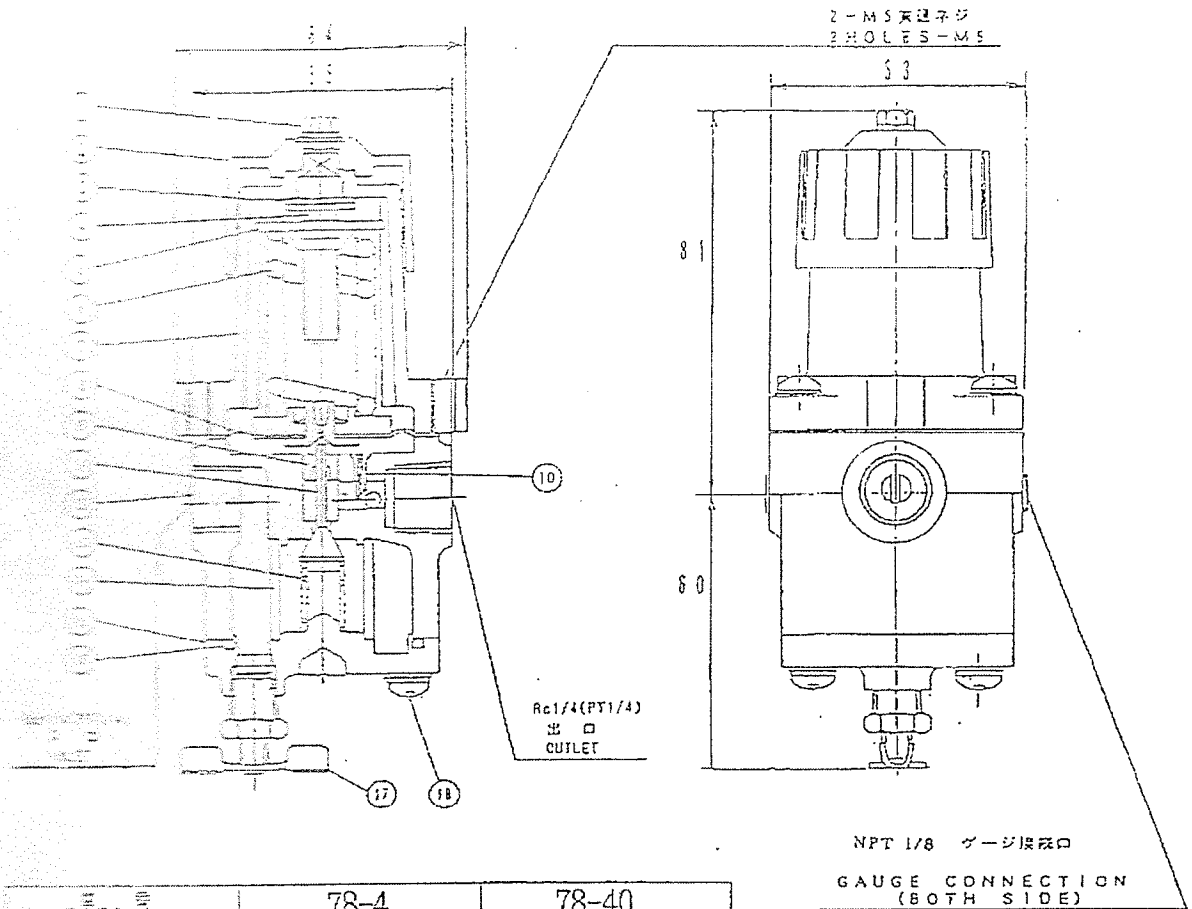


1	2	3	4	5	6	7	8	9	10	11	12	13	14	15	16	17	18	19	20	21	22	23	24	25	26	27	28	29	30

HCB-LL
 77-004
 MMS-75F022
 17

DWG NO MMS-75F022

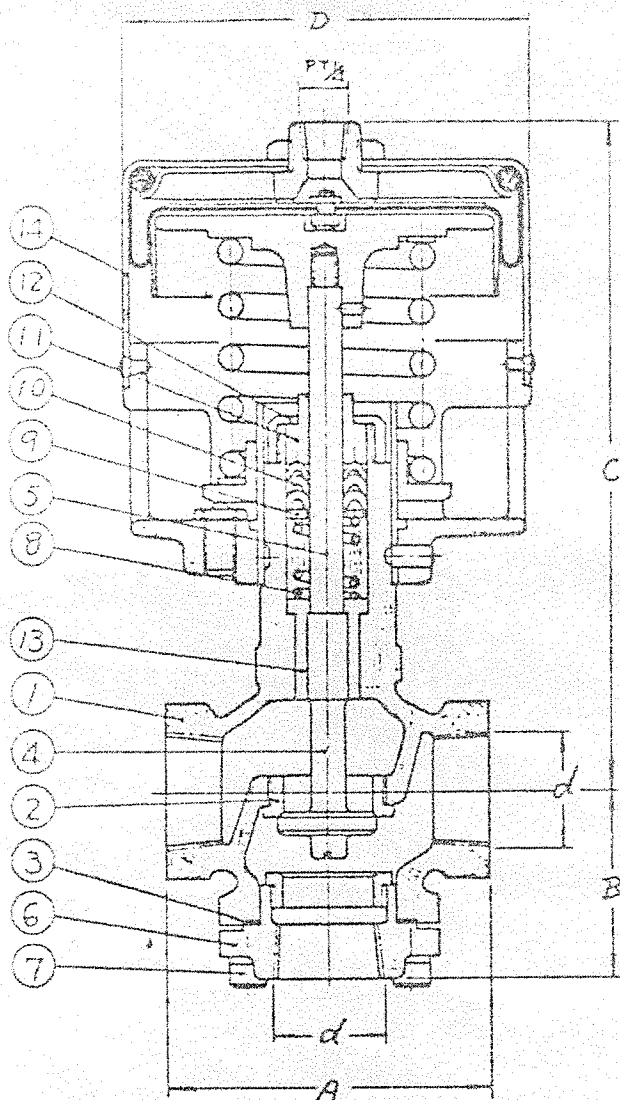
Masoneilan



	78-4	78-40
最大許容圧力 MAX. PERMISSIBLE PRESSURE	(15.0 kgf/cm ² 最大) 1.5 MPa MAX.	(15.0 kgf/cm ² 最大) 1.5 MPa MAX.
動作圧力範囲 OPERATING PRESSURE RANGE	(0.35~2.5 kgf/cm ²) 35 ~ 260 kPa	(0.35~7.0 kgf/cm ²) 35 ~ 700 kPa

品名 PART NAME	備考 REMARKS	番号 No.	部品名称 PART NAME	備考 REMARKS
		11	プラグ PLUG	
		12	ボデー BODY	
		13	ポート スプリング PORT SPRING	
		14	フィルター FILTER	
		15	ボトム キャップ BOTTOM CAP	
		16	Oリング O RING	
		17	ドレン コック DRAIN COCK	
		18	スクリュー SCREW	
			#78-4-1ニアーセット 断面図	
			#78-4-1AIR SET SECTIONAL DRAWING	
品名 DESCRIPTION	改訂内容 REVISION	改訂日 DATE	担当 BY	図面番号 DRAWING No. S-F7840

n. 4



NO. ПЛО	NAME OF PARTS НАИМЕНОВАНИЕ	MATERIAL МАТЕРИАЛ
1	Valve Body Корпус	BC 6 Cr Plating
2	Seat Ring Седло	SUS 304
3	Gasket Прокладка	V#921
4	Inner Valve Клапан	SUS 304
5	Valve Stem Шток Клапан	SUS 304
6	Bottom Cover Нижняя Крышка	BC-6 Cr plating Cr XPOH
7	Cap screw Винт	S45C
8	Spring Пружина	SUS 304
9	Spring Seat Седло Пружины	SUS 304
10	Gland Packing Набивка Сальника	Teflon ТЕФЛОН
11	Gland Bushing A Втулка Сальника	SUS 304
12	Gland Nut Гайка Сальника	BsBM
13	Guide Bushing Направляющая Втулка	SUS 630
14	U-Fram Motor Assly Мотор В Сопле	type тип #1400
15	Diaphragm Мембранный	Hidolin Rubber

SIZE ДЮ	Valve Dimension Размеры Клапан				
	d	A	B	C	D
3/4"		80	50	185	114
1"	315	120	60	178	114
1 1/4"	38210	140	65	275	206
1 1/2"	(PT)	150	70	279	206
2"		170	80	288	206

Р уст. - 4 кгс/см²

NO 1405 ТУР
ТАП
"U-Fram Value (3-Way)
Клапан (Трехходовое)
C.K.P. O.W.N.
J. Loss Kikuya W11167
DATE] 22.9.12
MOTOYAMA ENG. W. LTD

Tag DO
№ Ярлыка EmV-16
Weight --- 3.2 кг
BSC

n. 5